

>> ROTARY VALVE SLIDE RAILS MZC

>> FEATURES:

- Supporting bars for easy removal of rotor and end cover
- Direct drive or chain drive
- Narrow, flexible and maintenance free construction with direct drive
- Hygienic, USDA approved versions
- Explosion shock resistant and flame proof versions
- Increased safety at work
- Special blow through versions for cyclone and spray drier applications
- Blow through versions with enlarged inlet available
- Flameproof versions available, suitable for St2 products
- Versions conforming to ATEX 94/9/EC available



RV's with slide rails are available in 6 sizes covering a capacity range of the rotor from approximately .09 to 2.05 CFR at 100% filling.

Rotary Valve with Slide Rails

Due to the success in sanitary applications, the Rotary Valve with Slide Rails (MZC) valves are now available in several versions and materials.

The unit has an easy detachable rotor which can be removed within a few minutes to facilitate inspection and cleaning. The configuration with direct drive has a very narrow construction, especially in the blow through (BL) version where the conveying line passes underneath the drive. The direct drive, in conjunction with a

frequency inverter, results in a very flexible and maintenance free unit (no chains or grease). The extraction mechanism offers a high degree of operator safety and gives the line operators considerable flexibility in cleaning and maintaining the equipment between runs.



Product Information

The MZC valves are supplied in cast iron and 316 stainless steel. Variations such as nickel and chrome plating and tungsten coating are also available.

Rotors for every application available, such as reduced capacity, scalloped fixed vaned, end disc, etc. The rotor clearance has a high accuracy and tight tolerances. The end covers have outboard bearings, lubricated and sealed for life. Different types of shaft sealing are available, depending on the application. For special applications, internal and external mirror

polishing of the valve is possible. For the blow through valve, tri-clamp connections are available.

The standard models are suitable for temperatures up to 302 °F and a pressure of up to 21.75 PSI. Some versions are explosion shock resistant and flame proof up to 145 PSI pressure.

For applications where inlet size is more important than capacity, a range of blow through valves with an enlarged inlet is available in aluminum and 316 stainless steel.



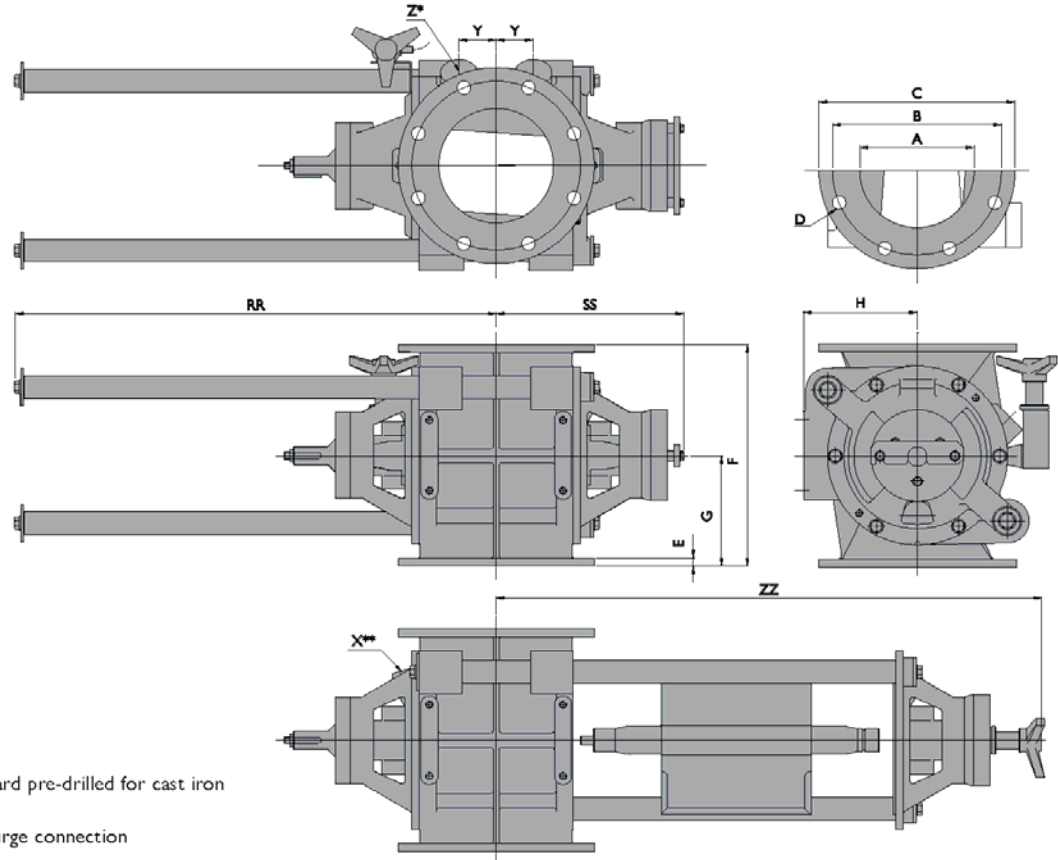
Powder Process-Solutions
Div. of Powder-Solutions Group
Ph: 877-933-2556
sales@powder-solutions.com
www.powder-solutions.com

>> AL-ROTARY VALVE SLIDE RAILS

>> FEATURES:

- Supporting bars for easy removal of rotor and end cover
- Direct drive or chain drive
- Narrow, flexible and maintenance free construction with direct drive
- Hygienic, USDA approved versions
- Explosion shock resistant and flame proof versions
- Increased safety at work
- Special blow through versions for cyclone and spray drier applications
- Blow through versions with enlarged inlet available
- Flameproof versions available, suitable for St2 products
- Versions conforming to ATEX 94/9/EC available

Dimensions AL MZC & AL Sanitary MZC



* Standard pre-drilled for cast iron

** Air purge connection

Type AL	ft ³ /rev	DIN			ANSI			E	F	G	H	X**	X Dairly**	Y
		ØA	ØB	D	ØC	ØB	D							
150	0.09	5.91	9.45	8xØ0.91	11.22	9.50	8xØ0.87	0.47	11.02	5.51	5.63	1/4"BSP (Ø10)	1/4"BSP (Ø10)	1.57
175	0.19	6.89	10.63	8xØ0.91	12.40	--	-	0.55	12.99	6.50	6.50	1/4"BSP (Ø10)	1/4"BSP (Ø10)	2.09
200	0.37	7.87	11.61	8xØ0.91	13.50	11.75	8xØ0.87	0.55	15.35	7.68	7.80	1/4"BSP (Ø10)	1/4"BSP (Ø10)	2.56
250	0.67	9.84	13.78	12xØ0.91	15.98	14.25	12xØ1.00	0.63	17.72	8.86	8.78	1/4"BSP (Ø10)	1/4"BSP (Ø10)	2.95
300	1.20	11.81	15.75	12xØ0.91	19.02	17.00	12xØ1.00	0.83	21.26	10.63	8.86	3/8"BSP (Ø10)	1/4"BSP (Ø10)	3.74
50	2.05	13.78	18.11	16xØ0.91	20.87	18.75	12xØ1.12	1.02	25.98	12.99	10.63	3/8"BSP (Ø10)	1/4"BSP (Ø10)	4.41

Type AL	Z*	Z Dairly*	RR	SS	ZZ
150	3/4"BSP	UNEF 1 1/8"	25.63	10.79	35.24
175	1"BSP	UNEF 1 1/8"	24.84	11.57	34.45
200	1 1/4"BSP	UNEF 1 1/8"	33.58	12.95	43.58
250	1 1/4"BSP	UNEF 1 1/8"	32.60	13.94	42.60
300	1 1/2"BSP	UNEF 1 1/8"	35.04	15.94	45.39
350	1 1/2"BSP	UNEF 1 1/8"	41.54	17.32	51.77



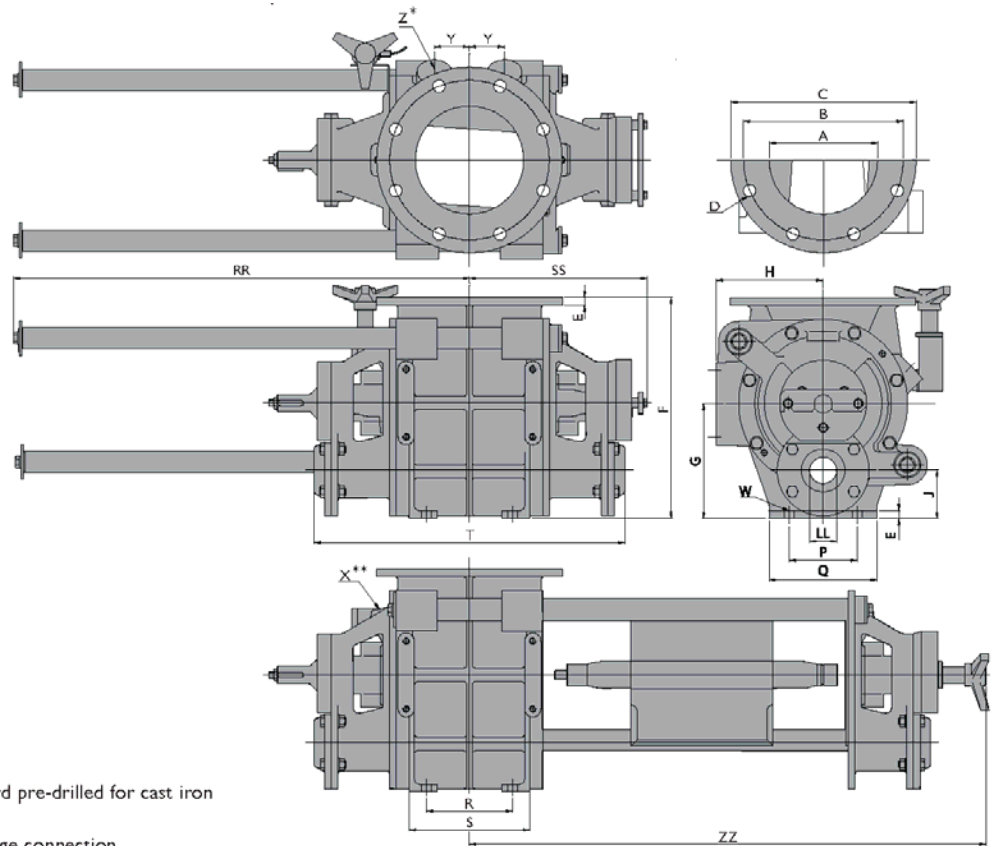
Powder Process-Solutions
Div. of Powder-Solutions Group
Ph: 877-933-2556
sales@powder-solutions.com
www.powder-solutions.com

>> BL-ROTARY VALVE SLIDE RAILS

>> FEATURES:

- Supporting bars for easy removal of rotor and end cover
- Direct drive or chain drive
- Narrow, flexible and maintenance free construction with direct drive
- Hygienic, USDA approved versions
- Explosion shock resistant and flame proof versions
- Increased safety at work
- Special blow through versions for cyclone and spray drier applications
- Blow through versions with enlarged inlet available
- Flameproof versions available, suitable for St2 products
- Versions conforming to ATEX 94/9/EC available

Dimensions BL MZC & BL Sanitary MZC



* Standard pre-drilled for cast iron

** Air purge connection

Type BL	ft ³ /rev	DIN			ANSI			E	F	G	H	J	P	Q	R	S	W
		ØA	ØB	D	ØC	ØB	D										
150	0.09	5.91	9.45	8xØ0.91	11.22	9.50	8xØ0.87	0.47	11.61	6.10	5.63	2.56	4.33	5.51	3.94	6.06	4xØ0.47
175	0.19	6.89	10.63	8xØ0.91	12.40	--	--	0.55	13.39	6.89	6.50	2.95	5.12	6.30	5.12	7.48	4xØ0.55
200	0.37	7.87	11.61	8xØ0.91	13.50	11.75	8xØ0.87	0.55	16.14	8.46	7.80	3.54	6.30	7.87	6.30	9.06	4xØ0.71
250	0.67	9.84	13.78	12xØ0.91	15.98	14.25	12xØ1.00	0.63	18.50	9.65	8.78	3.94	6.69	8.27	7.87	10.79	4xØ0.71
300	1.20	11.81	15.75	12xØ0.91	19.02	17.00	12xØ1.00	0.83	22.24	11.61	8.86	4.72	7.48	9.45	10.24	13.78	4xØ0.91
350	2.05	13.78	18.11	16xØ0.91	20.87	18.75	12xØ1.12	1.02	26.18	13.19	10.63	5.20	8.66	10.63	12.20	16.14	4xØ0.91

Type BL	Dairy												
	X**	X Dairy**	Y	Z*	Z Dairy*	T	LL	T	LL(max)	PP	RR	SS	ZZ
150	1/4"BSP (Ø10)	1/4"BSP (Ø10)	1.57	3/4"BSP	UNEF 1 1/8"	18.19	1.38	16.54	1.97	5.55	25.63	10.79	35.24
175	1/4"BSP (Ø10)	1/4"BSP (Ø10)	2.09	1"BSP	UNEF 1 1/8"	19.76	1.97	18.11	2.56	6.06	24.84	11.57	34.45
200	1/4"BSP (Ø10)	1/4"BSP (Ø10)	2.56	1 1/4"BSP	UNEF 1 1/8"	22.52	1.97	21.02	3.15	7.64	33.58	12.95	43.58
250	1/4"BSP (Ø10)	1/4"BSP (Ø10)	2.95	1 1/4"BSP	UNEF 1 1/8"	24.49	2.76	22.99	3.94	8.58	32.60	13.94	42.60
300	3/8"BSP (Ø10)	1/4"BSP (Ø10)	3.74	1 1/2"BSP	UNEF 1 1/8"	28.50	3.94	26.93	4.92	10.55	35.04	15.94	45.3
350	3/8"BSP (Ø10)	1/4"BSP (Ø10)	4.41	1 1/2"BSP	UNEF 1 1/8"	31.26	4.92	29.68	5.91	12.01	41.54	17.32	51.77



Powder Process-Solutions
Div. of Powder-Solutions Group
Ph: 877-933-2556
sales@powder-solutions.com
www.powder-solutions.com

>> ROTARY VALVE SLIDE RAILS MZC

>> FEATURES:

- Supporting bars for easy removal of rotor and end cover
- Direct drive or chain drive
- Narrow, flexible and maintenance free construction with direct drive
- Hygienic, USDA approved versions
- Explosion shock resistant and flame proof versions
- Increased safety at work
- Special blow through versions for cyclone and spray drier applications
- Blow through versions with enlarged inlet available
- Flameproof versions available, suitable for St2 products
- Versions conforming to ATEX 94/9/EC available

Other Valves:



AL



BL-DAIRY



AML



GL



DL



MLD-MALD-MGLD



SAL



TDV



M-TDV



FDV



PTD



FVV



GPD



SC



OS / GOS



Powder Process-Solutions
Div. of Powder-Solutions Group
Ph: 877-933-2556
sales@powder-solutions.com
www.powder-solutions.com