

>> MINI SANITARY VALVE SAL

>> FEATURES:

- For sanitary use
- Easy detachable rotor
- Low capacity
- Complete valve highly polished (inside and outside)
- Product surfaces FDA approved
- Maximum product temperature up to 212°F
- System pressure up to 14.5 PSI
- Versions conforming to ATEX 94/9/EC available

Mini Sanitary Valve

The Mini Sanitary Valve (Sanitary Air-lock SAL) is a low capacity rotary valve with a highly polished surface on both inside and outside. This valve is specially designed for metering purposes in applications where very high hygienic standards, ease of operation and cleaning are required. Therefore the Mini Sanitary Valve is very suitable for use in the pharmaceutical, food and chemical industries.

The valve is machined from solid stainless steel, not cast material. The complete valve can be dismantled for inspection and cleaned in a matter of minutes, thus reducing eventual downtime and production loss.



Product Information

The Mini Sanitary Valve is available in three sizes: DN80, DN100 and DN150, with capacities of .009, .09 and .09 CFR. The valve sizes 80 and 100 are made from solid DIN 1.4404 (AISI 316L) stainless steel, and have an easy detachable full end disc rotor with 6 rotor pockets and tri-clamp flange connections. The SAL 150 is the same as the sizes 80 and 100 except that the rotor is of a fabricated open end design (Daibi rotor) and the flange connections are DN150 (6") drilled according to PN 6.

The standard version has an easy detachable rotor, inboard bearings and a direct drive with PTFE lip seals for the shaft sealing. The standard versions are suitable for handling products up to 212 °F and a system pressure of 14.5 PSI.

Optional is an air motor or DC motor, as well as an air purge rotor shaft sealing. Other variations on the standard valve configuration are available upon request.



Powder Process-Solutions
Div. of Powder-Solutions Group
1620 Lake Drive West
Chanhausen, MN 55317
Ph: 952-279-5205
Fax: 952-279-5206
sales@powder-solutions.com
www.powder-solutions.com

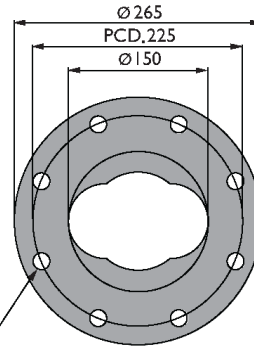
>> MINI SANITARY VALVE SAL

>> FEATURES:

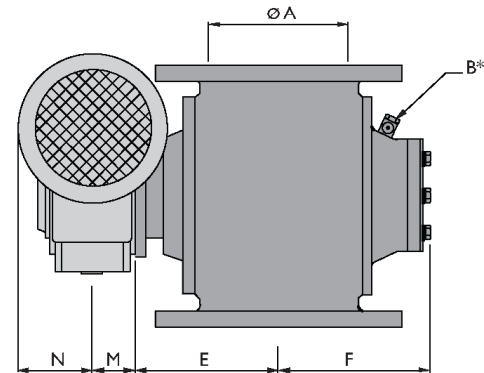
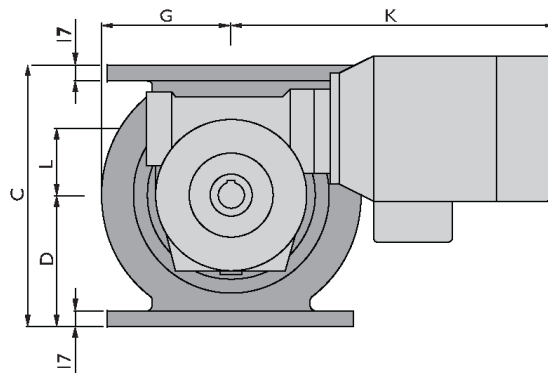
- For sanitary use
- Easy detachable rotor
- Low capacity
- Complete valve highly polished (inside and outside)
- Product surfaces FDA approved
- Maximum product temperature up to 212°F
- System pressure up to 14.5 PSI
- Versions conforming to ATEX 94/9/EC available

Note:
 Rotor size 80-100 (Solid)
 6 vane rounded pocket form / end-disc
 Rotor size 150 (Fabricated) / open end
 8 vane rounded pocketed form

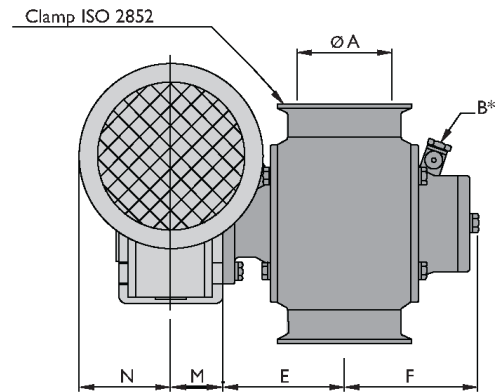
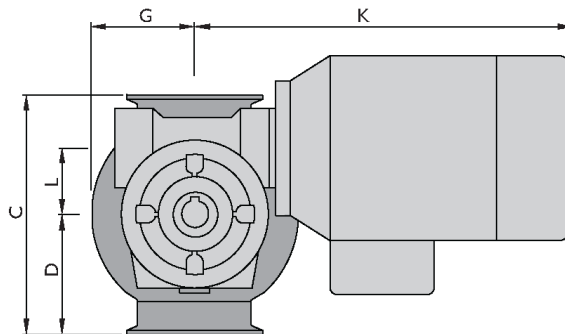
PN 6
 FLANGE DRILLING
 8 Holes Ø18



SAL 150



SAL 80/100



*Option airpurge

Type SAL	ft ³ /rev	ØA	SIZE	B*	C	D	E	F	G
80	0.009	2.87	3.00	Ø6-1/8"BSP	6.30	3.15	3.23	3.74	2.76
100	0.03	3.84	4.00	Ø6-1/8"BSP	8.27	4.13	4.13	4.53	3.74
150	0.09	5.91	-	Ø6-1/4"BSP	11.02	5.51	6.06	6.40	5.47

Type SAL	Bonfiglioli drive	K	L	M	N
80	MVF44P	10.04	1.76	1.38	2.44
100	MVF49P	10.24	1.95	1.46	2.44
150	MVF72P	13.74	2.83	1.81	3.07

SEW drive	K	L	M	N
WA20	9.84	0.91	1.87	2.60
WA30	10.28	1.18	2.28	2.85



Powder Process-Solutions
 Div. of Powder-Solutions Group
 1620 Lake Drive West
 Chanhassen, MN 55317
 Ph: 952-279-5205
 Fax: 952-279-5206
sales@powder-solutions.com
www.powder-solutions.com